



Active Digital Access Control Filter (ADACf / ADAC):

Features:

- ▶ Cost-effective & simplified means of delivering customized content to the hospitality or MDU customer
- ▶ Optically accepts full content lineup from headend and using integrated controls allows operator to select & pass only that content which the customer selected from lineup
- ▶ Integrated optical node with distribution level RF output & optional optical return path
- ▶ Local content insertion onto QAM available using ATX Networks' DVISn (Nano)
- ▶ Optical input -6 to +3 dBm from 1200-1620nm
- ▶ 10 segment LED optical input power meter
- ▶ Optional optical return path available in 1310nm, 1550nm or CWDM wavelengths
- ▶ Available in RF only ADAC version with distribution level RF (no integrated node)
- ▶ RF output level +45 dBmV available for distribution
- ▶ Forward, reverse & monitoring RF test points
- ▶ Cost-effective solution for hospitality, MDUs, business & educational use
- ▶ MDU hardened wall mount enclosure with lockable front door

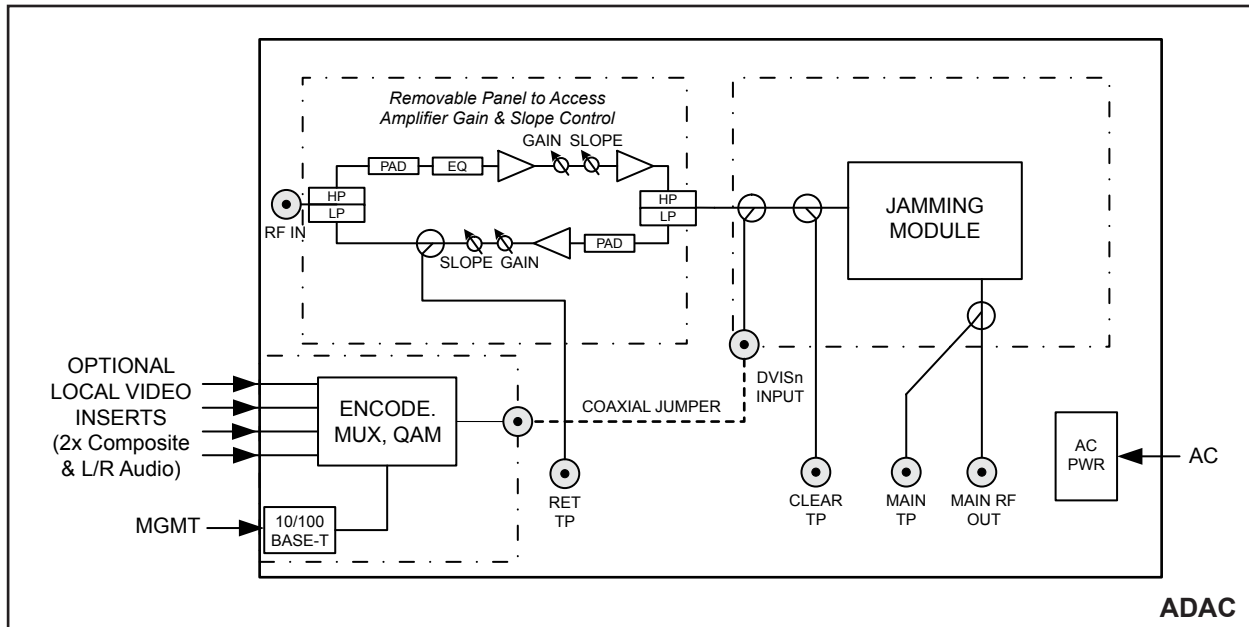
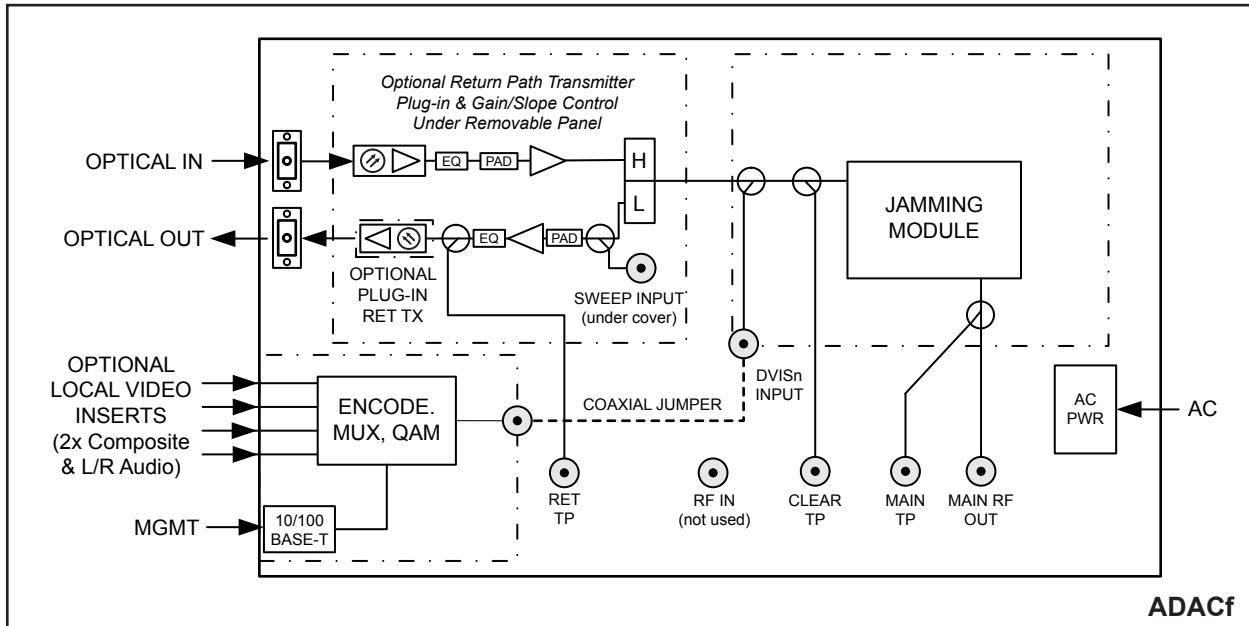


ADACf / ADAC Specifications

SPECIFICATIONS	ADACf / ADAC
RF	
FREQUENCY RANGE	54-1000 MHz
OUTPUT LEVEL	+45 dBmV @ 0 dBm Optical Input
CARRIER-TO-NOISE RATIO	> 51 dB @ 0 dBm Optical Input
COMP. 2nd ORD.	-65 dBc @ 0 dBm Optical Input
COMP. TR. BT.	-67 dBc @ 0 dBm Optical Input
FLATNESS	+/- 1 dB Over Full Range
NOISE FIGURE	5.3 dB
IMPEDANCE	75 Ω
OUTPUT RETURN LOSS	> 16 dB
RF OUT	F, 75 Ω
RF TEST POINT (Post-Processing)	F, 75 Ω, -20 dB
RF TEST POINT (Pre-Processing)	F, 75 Ω, -20 dB
RF IN INSERTION POINT (Local Content Insertion)	F, 75 Ω
RETURN TEST POINT	F, 75 Ω, -20 dB
OPTICAL (ADACf Only)	
FORWARD PATH OPERATING WAVELENGTH	1200-1620nm
OPTICAL INPUT RANGE	-6 to +3 dBm
OPTICAL RETURN LOSS	> 60 dB
RETURN PATH OPERATING WAVELENGTH	1310nm, 1550nm, CWDM
OPTICAL OUTPUT POWER	2mW (1310nm), 2.5mW (1550 & CWDM)
OPTICAL CONNECTOR	SC/APC
ELECTRICAL & ENVIRONMENTAL	
OPERATING TEMPERATURE	0°C to +55°C (+32°F to +131°F)
HUMIDITY	Up to 95% Non-condensing
DIMENSIONS	18.5"H x 19.0"W x 11.0"D (46.99H x 48.26W x 27.94D cm)
WEIGHT	40.35 lbs (18.3 kg)
POWER SUPPLY	IEC Connector, 90-264 VAC, User Replaceable

Active Digital Access Control Fiber (ADACf / ADAC):

Functional Schematics



Active Digital Access Control Fiber (ADACf / ADAC):

Ordering Information

Part Number	Description
ADACF	Active Digital Access Control with Optical Node, 54-1000 MHz, +45 dBmV, SC/APC
ADAC	Active Digital Access Control, RF Only, 54-1000 MHz, +45 dBmV
QFRL/DFB1-23	Return Path Laser Module, 1310nm, 2mW, SC/APC
QFRL/DFB15-23	Return Path Laser Module, 1550nm, 2.5mW, SC/APC
QFRL/xxxx-23	Return Path Laser Module, CWDM, 2.5mW, SC/AC (xxxx = 1470, 1490, 1510, 1530, 1550, 1570, 1590, 1610)
DVNANO1	Single Channel Encoder Nano Digital A/V Insertion Unit - QAM Output
DVNANO2	Dual Channel Encoder Nano Digital A/V Insertion Unit - QAM Output
ADAC-PS	Replacement Power Supply for ADACf / ADAC
ADAC-FAN	Replacement/Spare Fan for ADACf / ADAC

MDU Solutions® is a registered trademark of ATX in the United States and/or other countries. Products or features contained herein may be covered by one or more U.S. or foreign patents. Other non-ATX product and company names mentioned in this data sheet are the property of their respective companies.



Specifications subject to change without notice.

